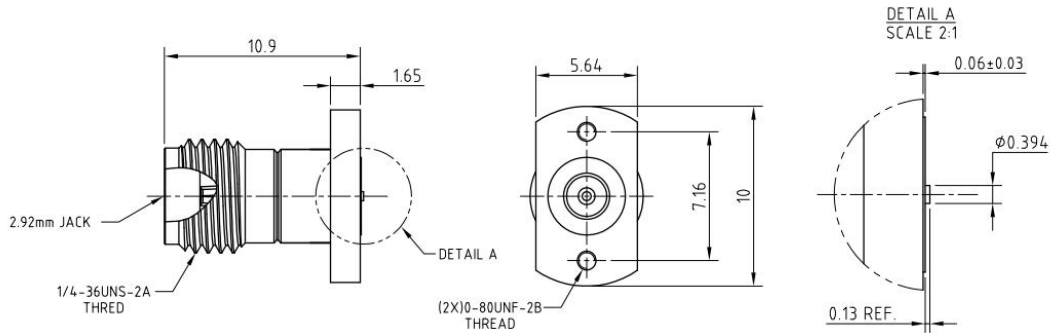


YG-2.92-KY03/YM0401005



Configuration	
Connector 1	2.92 Female
Connector Body	Stainless Steel Passivation
Connector Conductor	Beryllium Copper, Gold
Insulation	PEI
Electrical Specifications	
Impedance	50Ω
Frequency Range	10MHz~40GHz
VSWR	≤1.3
Dielectric Withstand Voltage	500Vrms
Insertion Loss	≤0.05√f(GHz)dB,DC-40GHz
Environment Data	
Working Temperature	-40℃ ~ +125℃

Recommended PCB Layout

The right PCB Layout is reference only,
It is necessary to make a SI analysis before
Use the PCB Layout.

