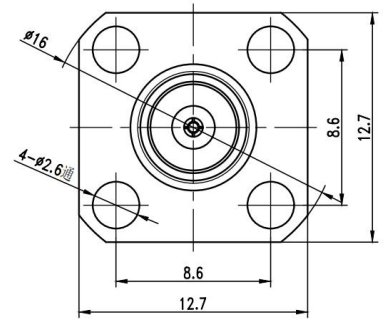
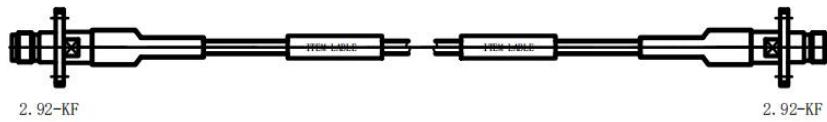


## CA40-2.92-KF-36-XXX



### Configuration

Connector 1	2.92mm Female-F
Connector 2	2.92mm Female-F
Connector Body	Stainless Steel Passivation
Connector Conductor	Beryllium Copper, Gold
Insulation	PEI
Cable Type	Low Loss Stable Phase Test Cable
Cable Diameter	3.6mm

### Electrical Specifications

Impedance	50Ω
Frequency Range	DC to 40GHz
Insertion Loss	<3.9dB/m,DC-40G
VSWR	≤1.30, DC to 40GHz
Dielectric withstand Voltage	500 V rms
Mechanical Phase Stability	TBD
Amplitude Stability	+0.05dB Max.
Different Cable Phase Match	±8 Degree Max.

### Mechanical Properties

Mechanical Life	500 cycles
Bending Radius	26mm

### Environment Data

Working Temperature	-55°C ~ +125°C
---------------------	----------------

### Order Information

P/N	Product Description
CA40-2.92-KF-36-030	Low Loss Stable Phase Test Cable, 2.92(KF) to 2.92(KF),40GHz,Length 30cm
CA40-2.92-KF-36-XXX	Low Loss Stable Phase Test Cable, 2.92(KF) to 2.92(KF),40GHz,Length XXXcm