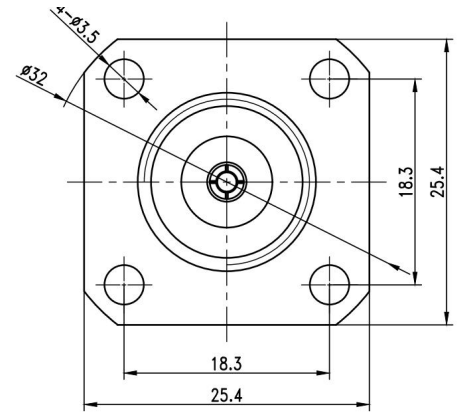


**CA18-N-K/N-KF-36-XXX**



**Configuration**

Connector 1	N Female
Connector 2	N Female-F
Connector Body	Stainless Steel Passivation
Connector Conductor	Beryllium Copper, Gold
Insulation	PTFE
Cable Type	Low Loss Stable Phase Test Cable
Cable Diameter	3.6mm

**Electrical Specifications**

Impedance	50Ω
Frequency Range	DC to 18GHz
Insertion Loss	<2.7dB/m,DC-18G
VSWR	≤1.25, DC to 18GHz
Dielectric withstand Voltage	1000 V rms
Mechanical Phase Stability	TBD
Amplitude Stability	+0.05dB Max.
Different Cable Phase Match	±8 Degree Max.

**Mechanical Properties**

Mechanical Life	500 cycles
Bending Radius	26mm

**Environment Data**

Working Temperature	-55°C ~ +125°C
---------------------	----------------

**Order Information**

P/N	Product Description
CA18-N-K/KF-36-030	Low Loss Stable Phase Test Cable, N(K) to N(KF),18GHz,Length 30cm
CA18-N-K/KF-36-XXX	Low Loss Stable Phase Test Cable, N(K) to N(KF),18GHz,Length XXXcm