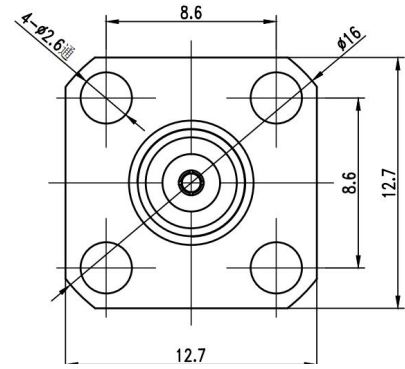
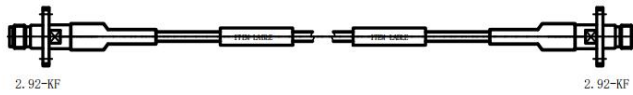


CA40-2.92KF-22-XXX



Configuration

Connector 1	2.92mm Female-F
Connector 2	2.92mm Female-F
Connector Body	Stainless Steel Passivation
Connector Conductor	Beryllium Copper, Gold
Insulation	PEI
Cable Type	Low Loss Stable Phase Test Cable
Cable Diameter	2.2mm

Electrical Specifications

Impedance	50Ω
Frequency Range	DC to 40GHz
Insertion Loss	<5dB/m,DC-40G
VSWR	≤1.30, DC to 40GHz
Dielectric withstand Voltage	500 V rms
Mechanical Phase Stability	TBD
Amplitude Stability	+0.05dB Max.
Different Cable Phase Match	±8 Degree Max.

Mechanical Properties

Mechanical Life	500 cycles
Bending Radius	26mm

Environment Data

Working Temperature	-55°C ~ +125°C
---------------------	----------------

Order Information

P/N	Product Description
CA40-2.92KF-22-030	Low Loss Stable Phase Test Cable, 2.92(F-F) to 2.92(F-F),40GHz,Length 30cm
CA40-2.92KF-22-XXX	Low Loss Stable Phase Test Cable, 2.92(F-F) to 2.92(F-F),40GHz,Length XXXcm