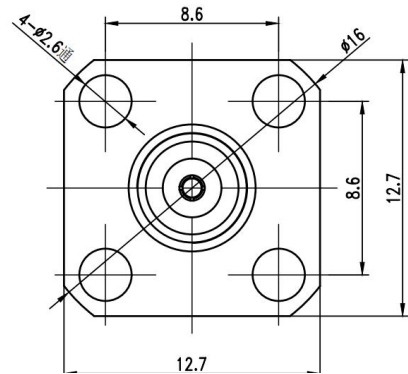


CA40-2.92-K/KF-E28-XXX



**Configuration**

Connector 1	2.92mm Female
Connector 2	2.92mm Female-F
Connector Body	Stainless Steel Passivation
Connector Conductor	Beryllium Copper, Gold
Insulation	PEI
Cable Type	Internal interconnection cable
Cable Diameter	2.65mm

**Electrical Specifications**

Impedance	50Ω
Frequency Range	DC to 40GHz
Insertion Loss	<5.5 dB/m,DC-40G
VSWR	≤1.30, DC to 40GHz
Dielectric withstand Voltage	500 V rms

**Mechanical Properties**

Mechanical Life	500 cycles
Bending Radius	26 mm

**Environment Data**

Working Temperature	-55℃ ~ +125℃
---------------------	--------------

**Order Information**

P/N	Product Description
CA40-2.92-K/KF-E28-030	Internal interconnection cable, 2.92(K) to 2.92(KF),40GHz,Length 30cm
CA40-2.92-K/KF-E28-XXX	Internal interconnection cable, 2.92(K) to 2.92(KF),40GHz,Length XXXcm