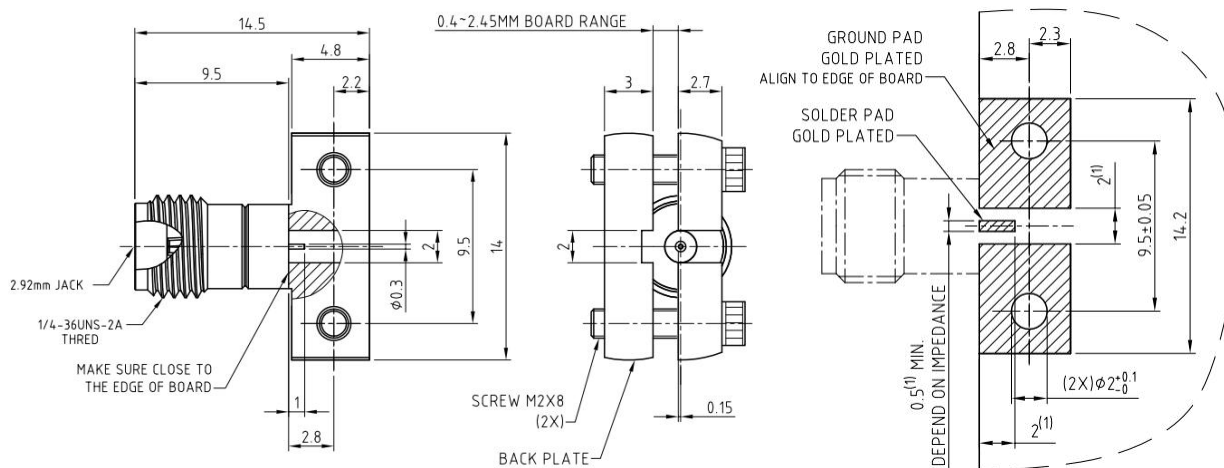


## YG-2.92-KHD01



Configuration	
Connector	2.92 Female
Connector Body	Brass Gold Plating
Connector Conductor	Bronze Gold Plating
Insulation	PTFE
Electrical Specifications	
Impedance	50Ω
Frequency Range	10MHz~40GHz
VSWR	≤1.35
Dielectric Withstand Voltage	650Vrms
Insertion Loss	≤0.05 x √f (GHz) dB,DC-40GHz
Environment Data	
Working Temperature	-40℃ ~ +165℃

