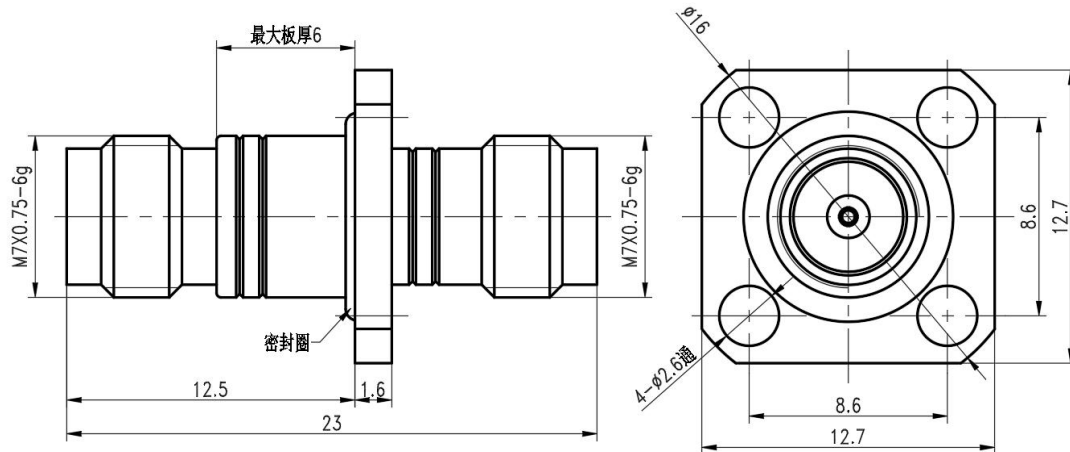


YG-1.85-KFK/ YG067011



Configuration	
Connector 1	1.85Female
Connector 2	1.85Female
Connector Body	Stainless Steel Passivation
Connector Conductor	Beryllium Copper, Gold
Insulation	PEI
Electrical Specifications	
Impedance	50Ω
Frequency Range	10MHz~67GHz
VSWR	≤1.2
Dielectric Withstand Voltage	500Vrms
Insertion Loss	≤0.1√f(GHz)dB
Environment Data	
Working Temperature	-40℃ ~ +125℃
Mechanical Properties	
Mechanical Life	500 cycles