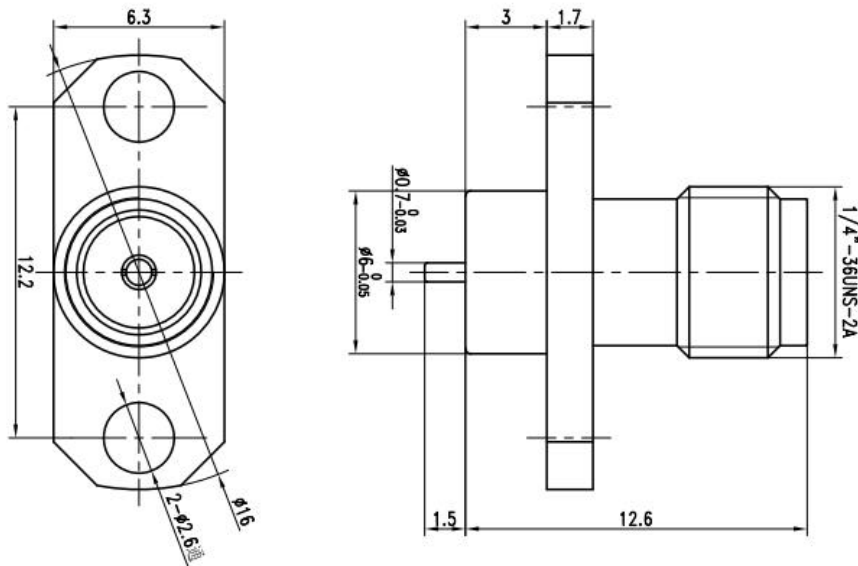


**YG-SMA-KFD2122-60-070**


Configuration	
Connector 1	SMA Female
Connector 2 Diameter1	6.0mm
Connector 2 Length1	3.0mm
Connector 2 Diameter2	0.7mm
Connector 2 Length2	1.5mm
Connector Body	Stainless Steel Passivation
Connector Conductor	Beryllium Copper, Gold
Insulation	PTFE/AIR
Electrical Specifications	
Impedance	50Ω
Frequency Range	DC-18GHz
VSWR	≤1.15
Dielectric Withstand Voltage	750Vrms
Environment Data	
Working Temperature	-55℃ ~ +165℃