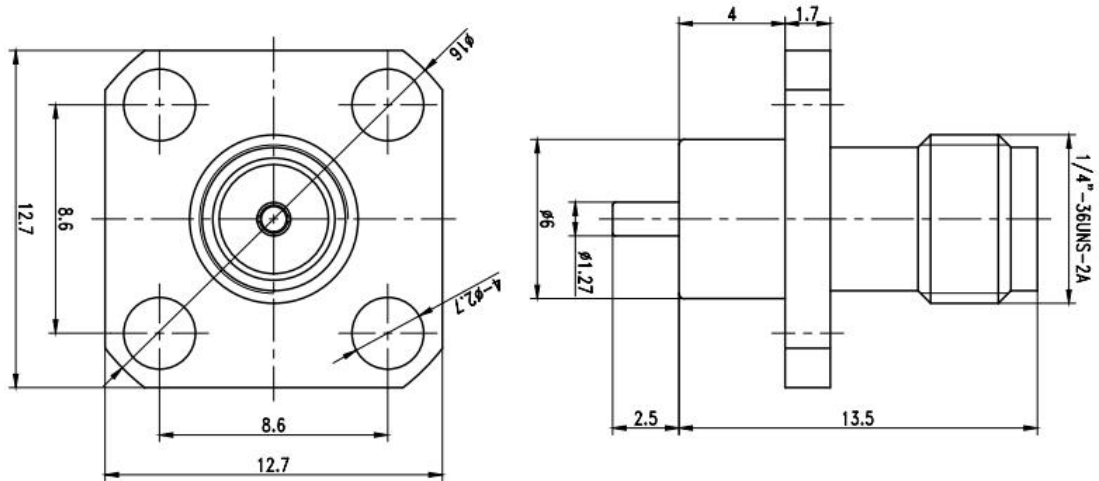


YG-SMA-KFD4086-60-127



| Configuration | |
|------------------------------|-----------------------------|
| Connector 1 | SMA Female |
| Connector 2 Diameter1 | 6.0mm |
| Connector 2 Length1 | 4.0mm |
| Connector 2 Diameter2 | 1.27mm |
| Connector 2 Length2 | 2.5mm |
| Connector Body | Stainless Steel Passivation |
| Connector Conductor | Beryllium Copper, Gold |
| Insulation | PTFE/AIR |
| Electrical Specifications | |
| Impedance | 50Ω |
| Frequency Range | DC-18GHz |
| VSWR | ≤1.15 |
| Dielectric Withstand Voltage | 750Vrms |
| Environment Data | |
| Working Temperature | -55°C ~ +165°C |