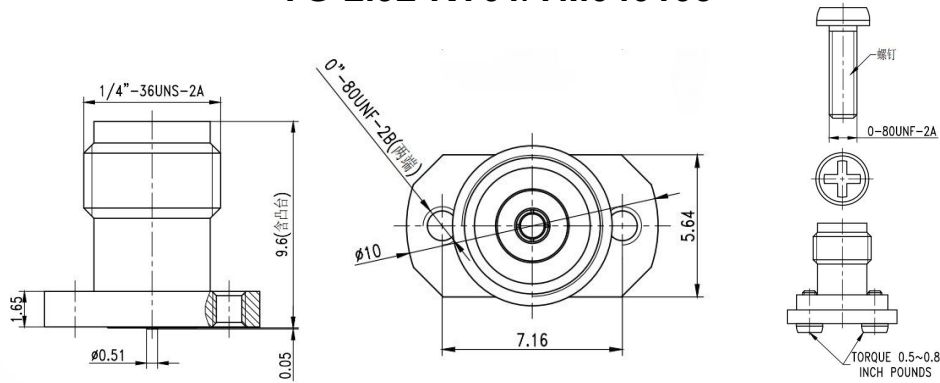


YG-2.92-KY01/YM040103



| Configuration | |
|------------------------------|---------------------------------------|
| Connector 1 | 2.92 Female |
| Connector Body | Stainless Steel (SUS303), Passivation |
| Connector Conductor | Beryllium Copper, Gold |
| Insulation | PEI |
| Electrical Specifications | |
| Impedance | 50Ω |
| Frequency Range | 10MHz~40GHz |
| VSWR | ≤1.3 |
| Dielectric Withstand Voltage | 200Vrms |
| Insertion Loss | ≤0.03√f(GHz)dB,DC-40GHz |
| Environment Data | |
| Working Temperature | -40℃ ~ +155℃ |

Recommend PCB Layout

The right pcb Layout is reference only,
It is necessary to make a SI analysis before
Use the PCB Layout.

