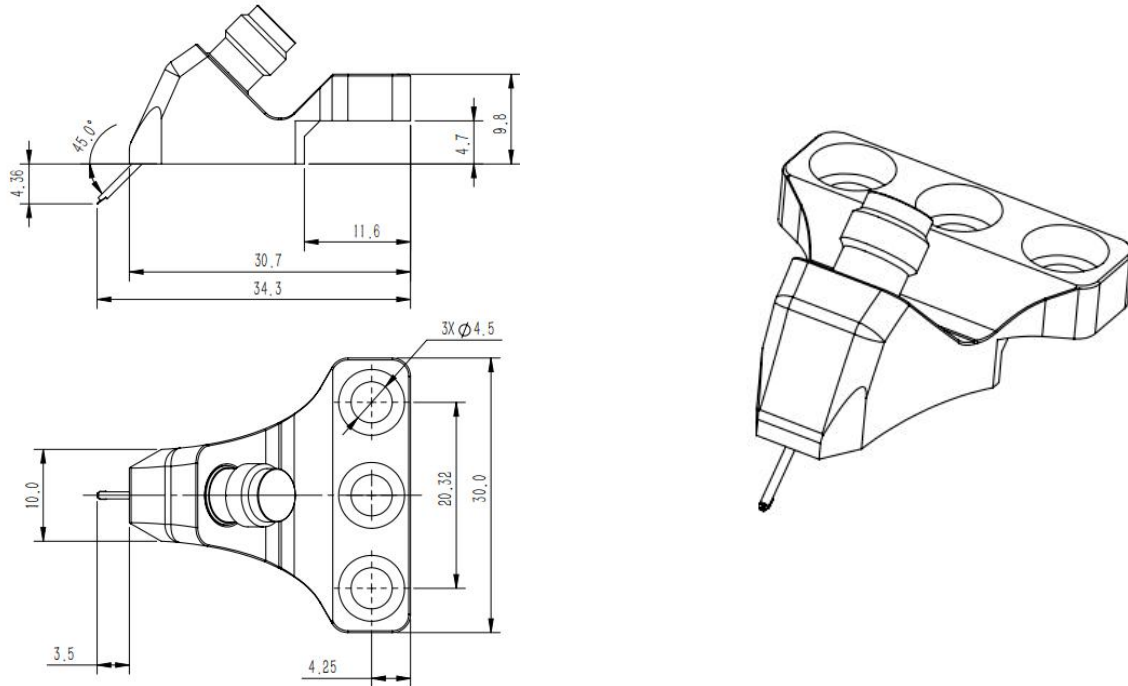


2.92-A-GS(SG)-XXX



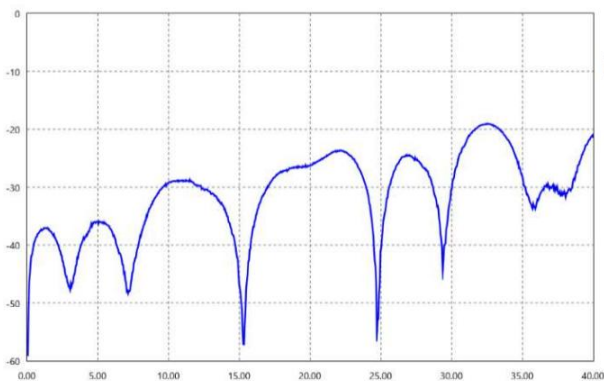
Configuration

Connector	2.92mm Female
Probe Tips configuration	GS(SG)
Probe Tips pitch	50μm--500μm
Probe Tips Material	Aluminum Alloy,Gold Plated
Probe Tips width	30μm
Overtravel	50μm--75μm

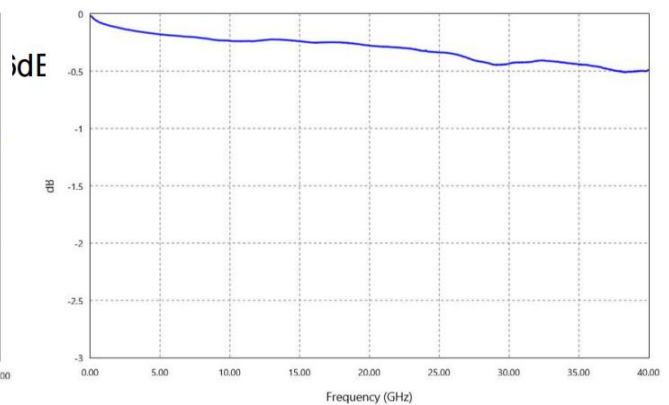
Electrical Specifications

Impedance	50Ω
Frequency Range	DC to 40GHz
Insertion Loss	<0.7 dB,DC-40GHz
Return Loss	≤15 dB, DC to 40GHz
Contact Resistance	≤ 50mΩ

S11 FORWARD REFLECTION



S21 FORWARD TRANSMISSION



P/N	Product Description
2.92-A-GS(SG)-XXX	Angle 45° GS(SG) Configuration,XXXμm Pitch,DC-40GHz

sales@szyuge.com

<http://www.szyuge.com>

Rev. A