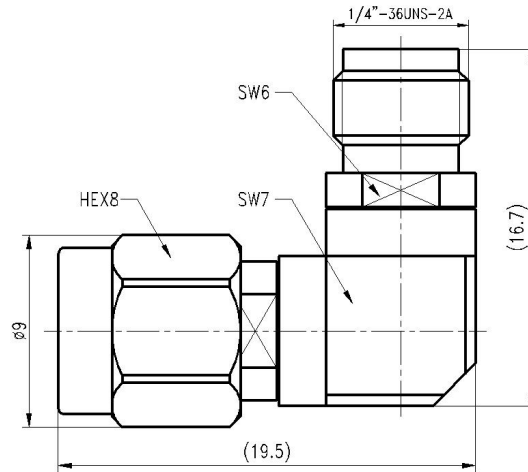


YG-2.92JWK/ YG040050



Configuration	
Connector 1	2.92Male
Connector 2	2.92Female
Connector Body	Stainless Steel Passivation
Connector Conductor	Beryllium Copper, Gold
Insulation	PEI
Electrical Specifications	
Impedance	50Ω
Frequency Range	10MHz~40GHz
VSWR	≤1.25
Dielectric Withstand Voltage	500Vrms
Insertion Loss	≤0.08√f(GHz)dB
Environment Data	
Working Temperature	-40℃ ~ +125℃
Mechanical Properties	
Mechanical Life	500 cycles